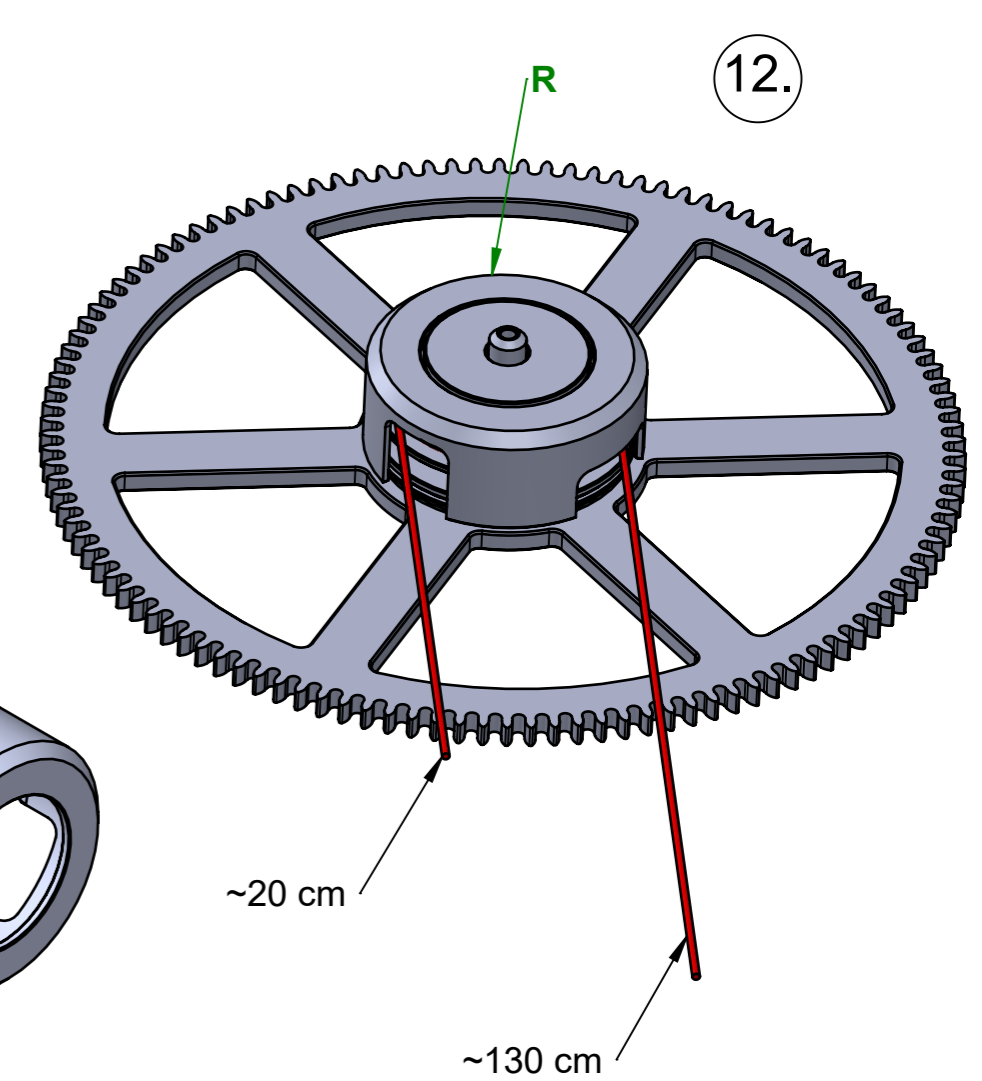
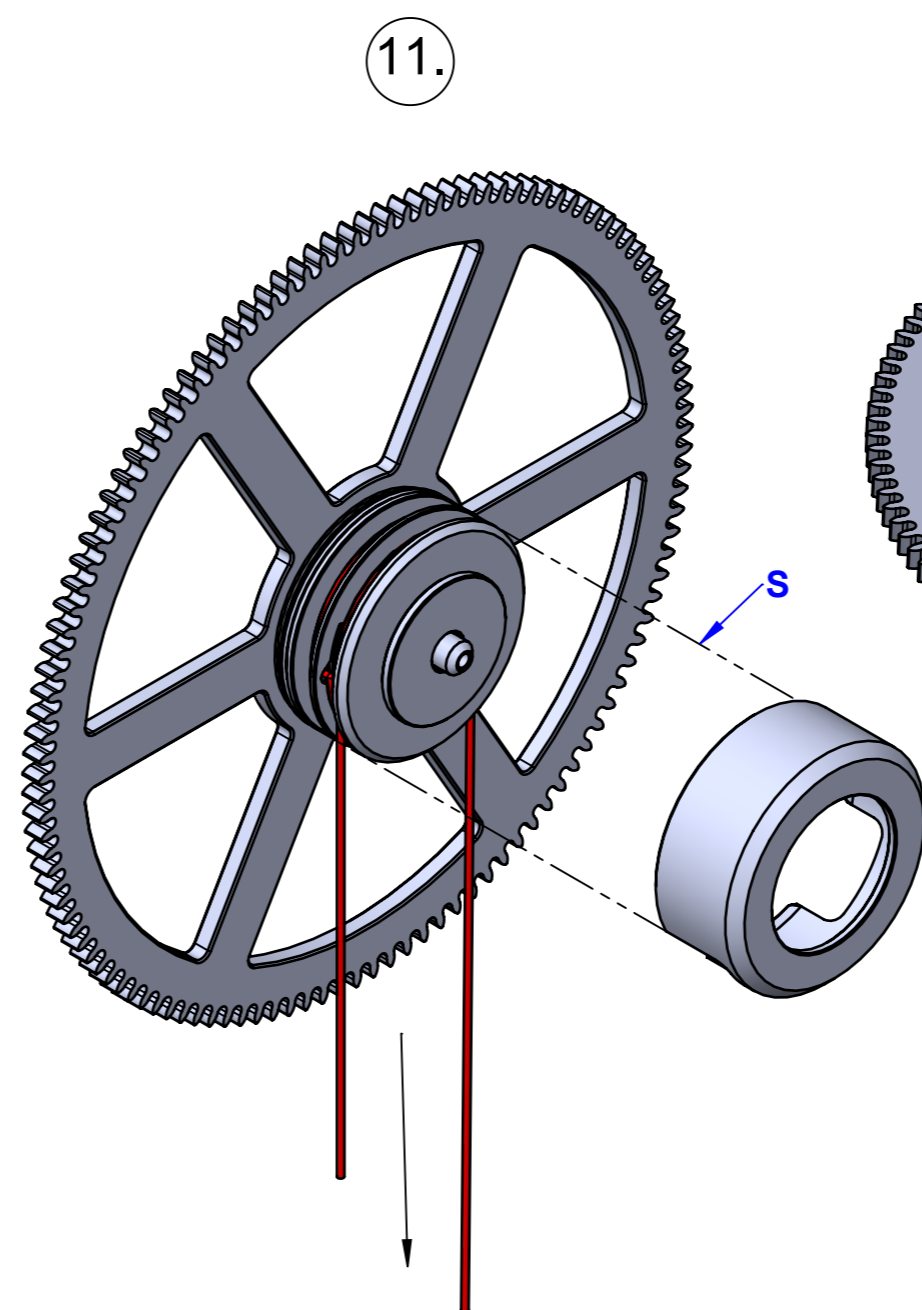
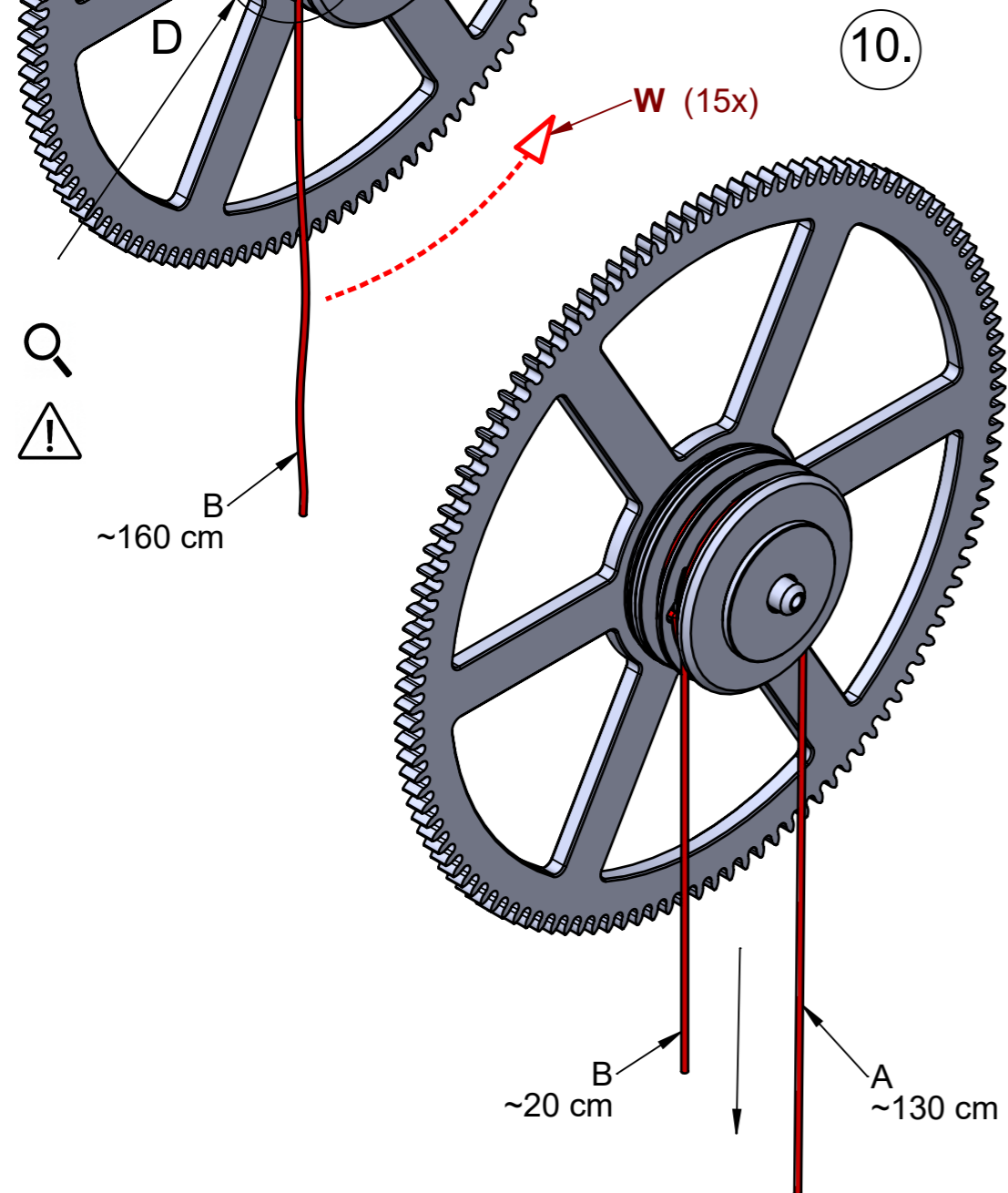
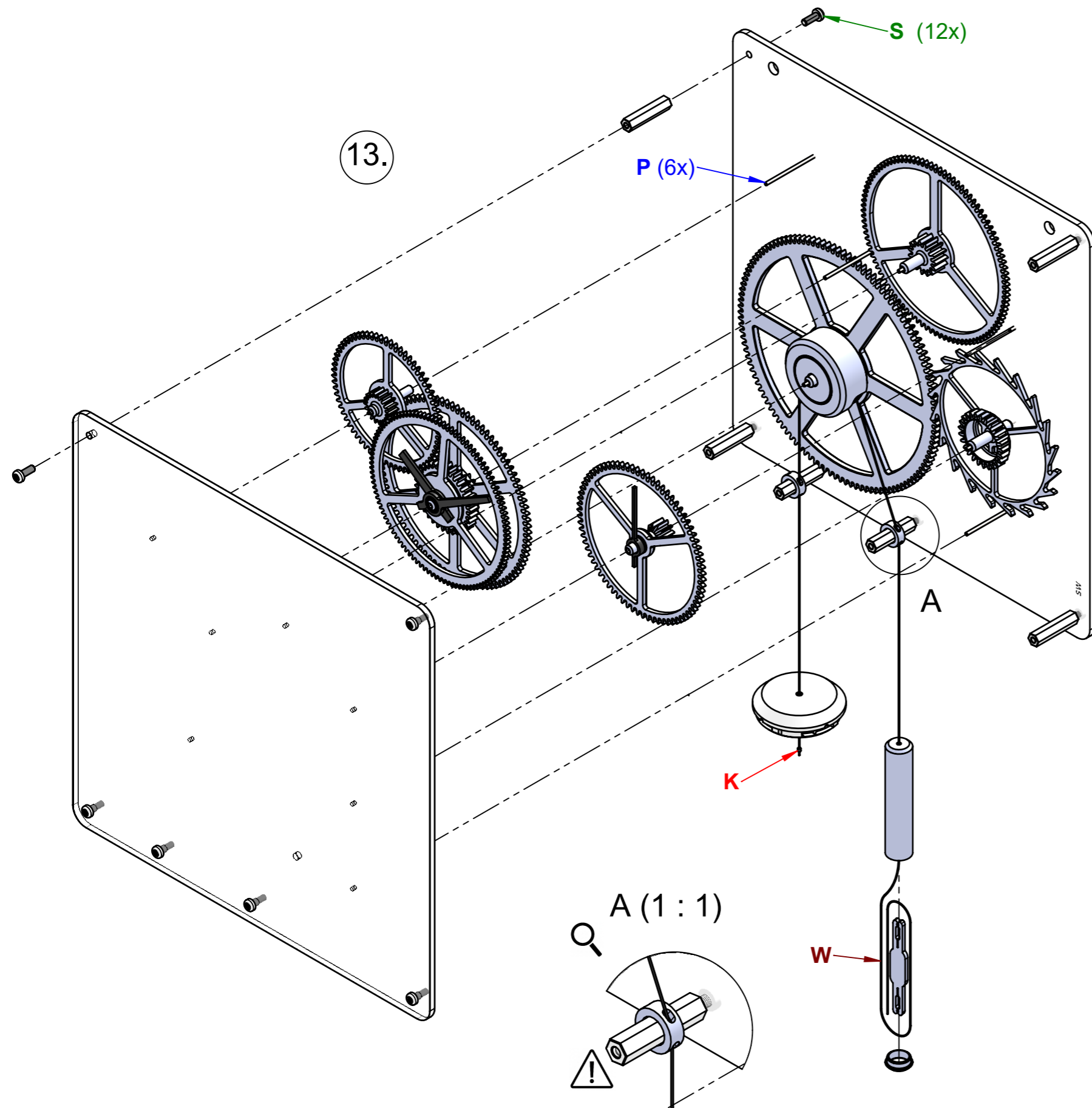


"W ind"

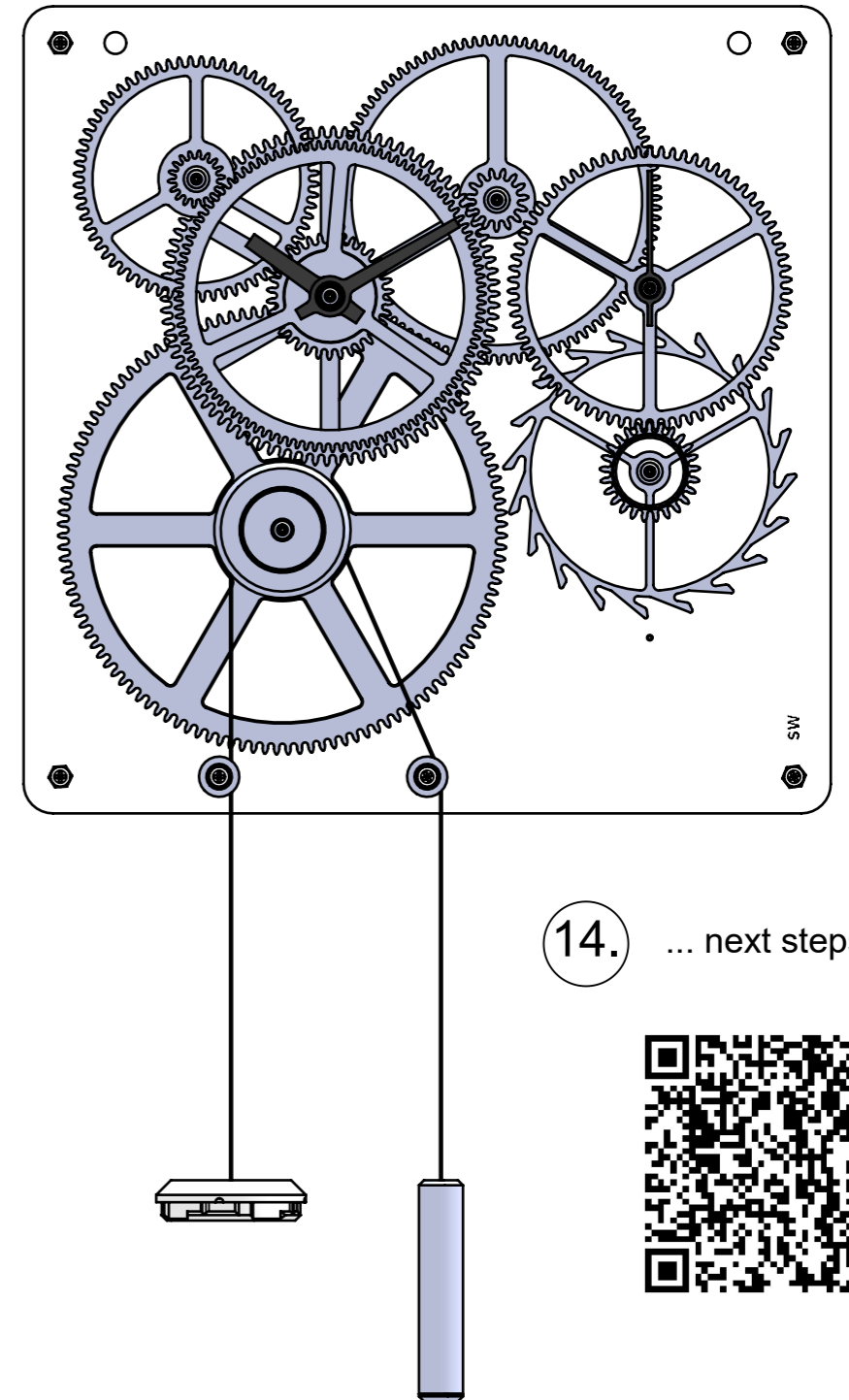
"S nap"

"R otating"





"P ress" "K not" "W ind" "S crew"



14. ... next steps

